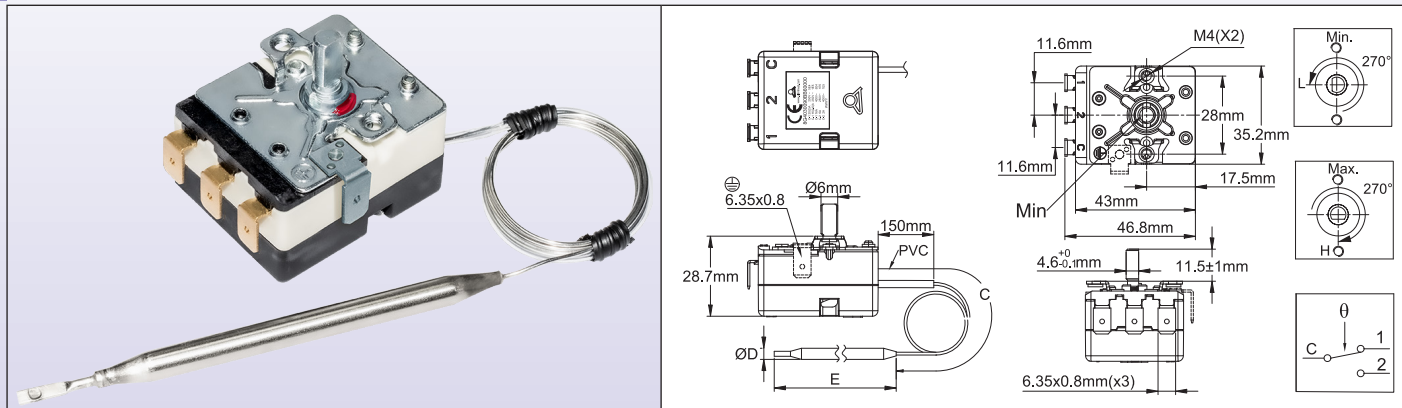


Control Thermostats

20A 250V Single pole control thermostat

Type 8G

Dimensions



Technical features

Housing dimensions: 43 × 35 × 29mm (without terminals)

Bulb and capillary: Stainless steel, with 100mm long PVC sleeve on the capillary. Capillary minimum bending radius is 5mm. No capillary sleeve for temperature ranges above 400°C (750°F). 8mm bulbs are in copper.

Temperature sensing element: Oil filled bulb and capillary.

Caution: Temperature ranges above 400°C (750°F) are filled with sodium-potassium eutectic. In case of breakage of the bulb or capillary, this liquid may self-ignite at room temperature in the presence of water or moisture.

Terminals: 6.35 × 0.8 quick connect terminals, 90° bended. Straight terminals or terminals with M4 screws also available on request. (MOQ apply). Terminal positions and alignment allow the use of a connector with flat or bended terminals.

Adjustment: Dia. 6mm shaft with 4.6mm flat, length 11.5mm. Other lengths, screw driver adjustment or fixed setting available on request.

Mounting: Front bracket with 2 × M4 threads, 28mm distance.

Grounding: 6.35 × 0.8 QC terminal on mounting bracket.

Contact: SPDT

Electrical rating:

When the rated voltage is 250V~:

- Open on temperature rise contact (C-1): 20(3.3)A 250V~, 50-60Hz
- Close on temperature rise contact (C-2): 6A 250V~, 50 ~60Hz

When the rated voltage is 400V~:

- Open on temperature rise contact (C-1): 16(2.6)A 400V~, 50-60Hz
- Close on temperature rise contact (C-2): 2A 400V~, 50 ~60Hz

Electrical life: 100,000 cycles

Max ambient temperature on body: 85°C (185°F).

Acceptable degree of pollution for use in 250V: 3

Acceptable degree of pollution for use in 400V: 2

Main references

Reference	Temperature range °C (°F)	Capillary length(C, mm)	Bulb diameter (D, mm)	Bulb length (E, mm)	Differential °C (°F)	Max temperature on bulb °C (°F)
8GB-35035AO60001	-35+35°C (-31+95°F)	1500	6	139±5	4±2°C (7.2±3.6°F)	65°C (149°F)
8GB-35035AA60001	-35+35°C (-31+95°F)	250	6	139±5	4±2°C (7.2±3.6°F)	65°C (149°F)
8GB-10040AO60001	-10+40°C (14-104°F)	1500	6	175±5	3±2°C (5.4±3.6°F)	70°C (158°F)
8GB-10040AA60001	-10+40°C (14-104°F)	250	6	175±5	3±2°C (5.4±3.6°F)	70°C (158°F)
8GB004040IA30000	4-40°C (39.2-104°F)	250	Pig tail style, dia.30mm coil	55±10	4±2°C (7.2±3.6°F)	70°C (158°F)
8GB004040AA80001	4-40°C (39.2-104°F)	250	8	86±5	4±2°C (7.2±3.6°F)	70°C (158°F)
8GB004040AO60001	4-40°C (39.2-104°F)	1500	6	135±5	4±2°C (7.2±3.6°F)	70°C (158°F)
8GB004040AA60001	4-40°C (39.2-104°F)	250	6	135±5	4±2°C (7.2±3.6°F)	70°C (158°F)
8GB000060AO60001	0-60°C (32-140°F)	1500	6	155±5	3±2°C (5.4±3.6°F)	90°C (194°F)
8GB000060AA80001	0-60°C (32-140°F)	250	8 copper	97±5	3±2°C (5.4±3.6°F)	90°C (194°F)
8GB000090AO60001	0-90°C (32-194°F)	1500	6	85±5	5±2°C (9±3.6°F)	120°C (248°F)
8GB030090AO60001	30-90°C (86-194°F)	1500	6	122±5	4±3°C (7.2±5.4°F)	120°C (248°F)



Control Thermostats

Because of permanent improvement of our products, drawings, descriptions, features used on these data sheets are for guidance only and can be modified without prior advice

Reference	Temperature range °C (°F)	Capillary length(C, mm)	Bulb diameter (D, mm)	Bulb length (E, mm)	Differential °C (°F)	Max temperature on bulb °C (°F)
8GB030090AA80001	30-90°C (86-194°F)	250	8 copper	79±5	4±3°C (7.2±5.4°F)	120°C (248°F)
8GB030110AO60001	30-110°C (86-230°F)	1500	6	101±5	5±3°C (9±5.4°F)	140°C (284°F)
8GB030110AA80001	30-110°C (86-230°F)	250	8 copper	68±5	5±3°C (9±5.4°F)	140°C (284°F)
8GB050200AO60001	50-200°C (122-392°F)	1500	6	63±5	8±5°C (14.4±9°F)	230°C (446°F)
8GB050300AO30001	50-300°C (122-572°F)	1500	3	122±5	9°C±6°C (16.2±10.8°F)	330°C (626°F)
8GB100400AO30001	100-400°C (212-752°F)	1500	3	115±5	15°C±7°C (27±12.6°F)	430°C (806°F)
8GB100500AE40000	100-500°C (212-932°F)	500	4	167±5	20°C±6°C (36±10.8°F)	550°C (1022°F)
8GB100500AG40000	100-500°C (212-932°F)	750	4	167±5	20°C±6°C (36±10.8°F)	550°C (1022°F)
8GB100500AN40000	100-500°C (212-932°F)	1400	4	167±5	20°C±6°C (36±10.8°F)	550°C (1022°F)

Other temperature ranges available on request.

Capillary stuffing box with flat fiber gasket and M14 nut. NBR or FKM gasket. Max temperature 220°C.

		Nickel plated brass capillary fitting for use on liquids up to 130°C (Capillary gasket in NBR)	66RL41LS30000000
		Nickel plated brass capillary fitting for use on liquids up to 230°C (Capillary gasket in FKM)	66RL41LS20000000
		Stainless steel 304 capillary fitting for use on liquids up to 130°C (Capillary gasket in NBR)	66RIMEPM9X1041C7
		Stainless steel 304 capillary fitting for use on liquids up to 230°C (Capillary gasket in FKM)	66RIMEPM9X1041C8

3 way connector. Exists unassembled, with female terminals non-crimped, or assembled, with crimped wires, length, gauge and style upon customer request.

		66KG3635*
--	--	-----------

* The 16 character full reference is issued upon customer wire types and length specs. Many other accessories are available: Pockets, flanges, fittings: See the full list in catalogue #1.

Usual knobs and bezels.

°C Printing

0-10°C	-35+35°C	-10+40°C	4-40°C	0-60°C	0-90°C
66MZ0000010502FW	66MZ006-350352FW	66MZ006-100402FW	66MZ0060040402FW	66MZ0060000602FW	66MZ0060000902FW
30-90°C	30-110°C	50-200°C	50-300°C	100-400°C	100-500°C
66MZ0060300901FW	66MZ0060301101FW	66MZ0060502001FW	66MZ0060503001FW	66MZ0061004007FW	66MZ0061005007FW



Control Thermostats

°F Printing

32-50°F	-30+95°F	15-105°F	40-105°F	32-140°F	32-195°F
66MZ0000010502FW	66MZ006-350352FX	66MZ006-100402FX	66MZ0060040402FX	66MZ0060000602FX	66MZ0060000902FX
85-195°F	85-230°F	120-390°F	120-570°F	210-750°F	210-930°F
66MZ0060300901FX	66MZ0060301101FX	66MZ0060502001FX	66MZ0060503001FX	66MZ0061004007FX	66MZ0061005007FX

<p>Modern design soft grip knob, dia.41mm. Polycarbonate and rubber.</p>	<p>Skirt knob, dia 50mm, black ABS.</p>	<p>US 2" size knob, dia 50mm. Black PA66.</p>	<p>Miniature knob dia. 10mm. Black PA66.</p>
66MZ*	66MU*	66MP*	66MQ
<p>Black or chromed ABS bezel, for dia. 41mm knobs.</p>	<p>Black ABS bezel for knobs dia. 50 to 51mm</p>	<p>Stainless steel bezel for knobs dia. 41mm</p>	<p>Stainless steel bezel for knobs dia. 50 to 51mm</p>
Black: 66EN1 Chromed: 66EN3	Black: 66EN4** Chromed: 66EN6	66EN2**	66EN5

* Full knob reference with printing has 16 characters. Many others knobs are available, see the full knob list at the end of catalogue N°1.

** Low cost versions also available in Nickel or Chrome plated steel.

Update 2025/11/21

Because of permanent improvement of our products, drawings, descriptions, features used on these data sheets are for guidance only and can be modified without prior advice